

Plug IEC Fused Flange PE00072

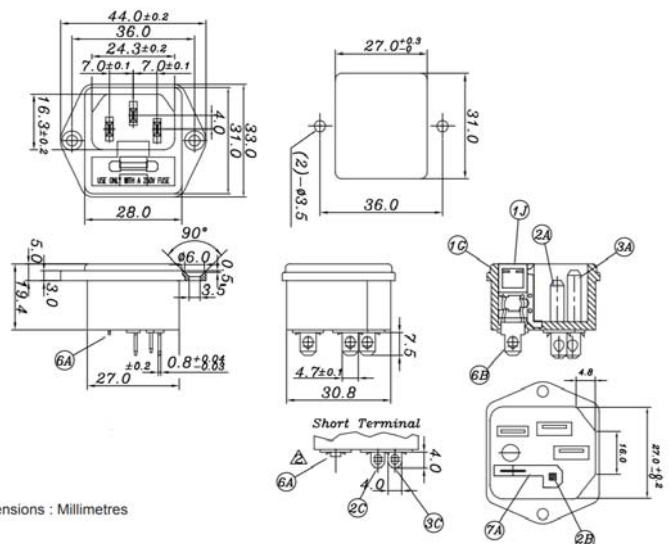
Product Type:
IEC CONNECTORS



Specification:

Rating: 6.3A/2.5W 250V AC
 Withstand Voltage: 2,000V AC1 minute
 Insulation Resistance: More than 100MΩ at 500V DC
 Operating Temperature: -25°C to +85°C (Max.)
 Gender: Plug
 Voltage Rating: 250V AC
 Connector Mounting: Panel Contact
 Termination: Through Hole Vertical
 Panel Cut-out Depth: 31mm
 Panel Cutout Width: 27mm
 Termination Method: Solder / Push-On

Drawing:



Dimensions : Millimetres

Code	Description	Pack Qty
PE00072	Plug IEC Fused Flange	1